



Peter Wong
Managing Director & Shareholder
Hangzhou DM Group
Hangzhou DM power transmission Co.,LTD
Hangzhou DM Compressor Co.,LTD
peter@dumax-group.com
<http://dumax-group.com/>

Sam Chan
Sales Director & Shareholder
Hangzhou DM Group
Hangzhou DM power transmission Co.,LTD
Hangzhou DM Compressor Co.,LTD
sam@dumax-group.com
<http://dumax-group.com/>



Reciprocating Compressor

目录 CONTENTS

- 01 型号说明 Model Designation
- 02 应用范围 Envelope
- 04 性能参数 Performances
R134a
R22
R404A/R507A
- 13 技术数据 Technical data
- 15 压缩机展示图 Compressor exhibition





MODEL DESIGNATION

型号说明

Semi-hermetic Reciprocating Compressor

半封闭活塞式制冷压缩机

3-50 HP, 18-150 m³/h

COMPRESSOR / 压缩机 RFC 4 D - 5 .2

NUMBER OF CYLINDERS / 缸数	
4	4 Cylinders/ 4缸机
6	6 Cylinders/ 6缸机

TYPE / 类型	
G	High temp / 高温机
D	Low temp / 低温机
DS	Double Stage / 双级机

NOMINAL MOTOR POWER / 电机名义功率	
5	Hp / 马力

VERSION / 版本	
2	2 / 第2版



APPLICATION LIMITS

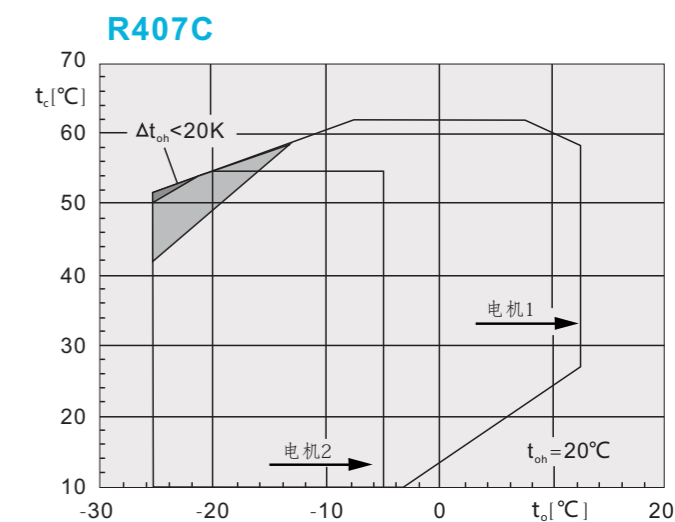
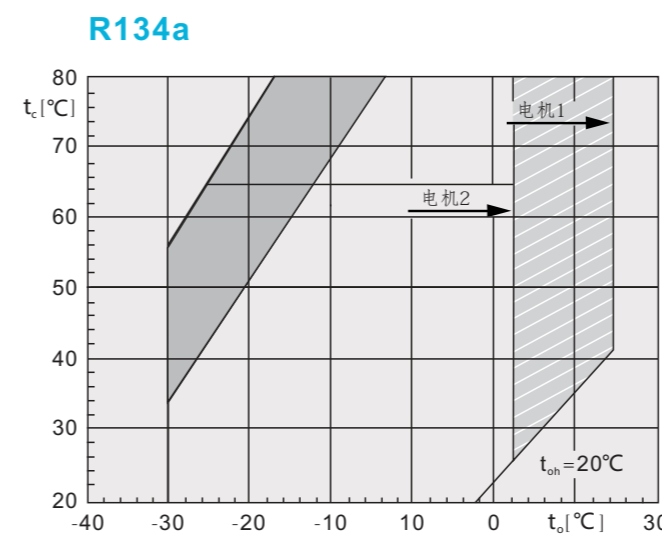
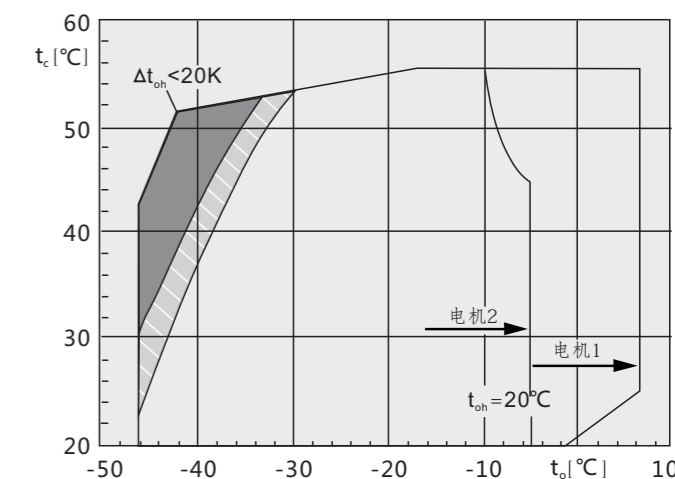
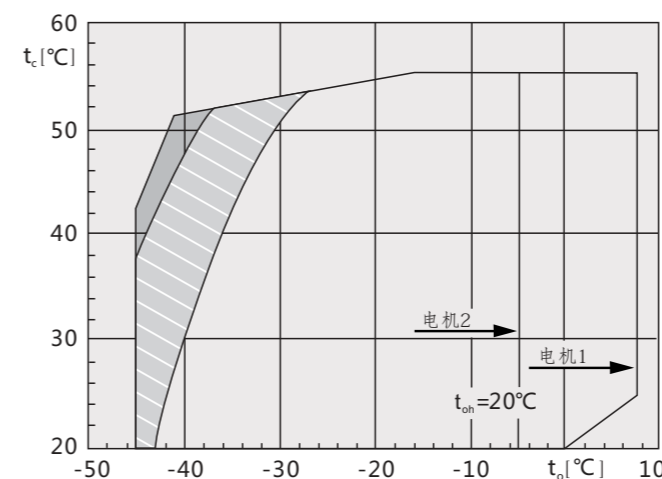
Suction gas temperature 20°C

应用范围

基于吸气温度20°C

R404A•R507A
RFC4D-3.2—RFC4G-9.2

R404A•R507A
RFC4D-8.2—RFC6G-50.2



t_o	Evaporating temperature(°C)	t_o	蒸发温度(°C)
t_{oh}	Suction gas temperature(°C)	t_{oh}	吸气温度(°C)
Δt_{oh}	Suction superheat(K)	Δt_{oh}	吸气过热度(K)
t_c	Condensing temperature(°C)	t_c	冷凝温度(°C)

	Additional cooling or max. 0°C suction gas temperature		附加冷却或最高0°C吸气温度
	Additional cooling		附加冷却
	Additional cooling & limited suction gas temperature		附加冷却+限制最高吸气温度
	Suction superheat > 10K		吸气过热度 > 10K



APPLICATION LIMITS

Suction gas temperature 20°C

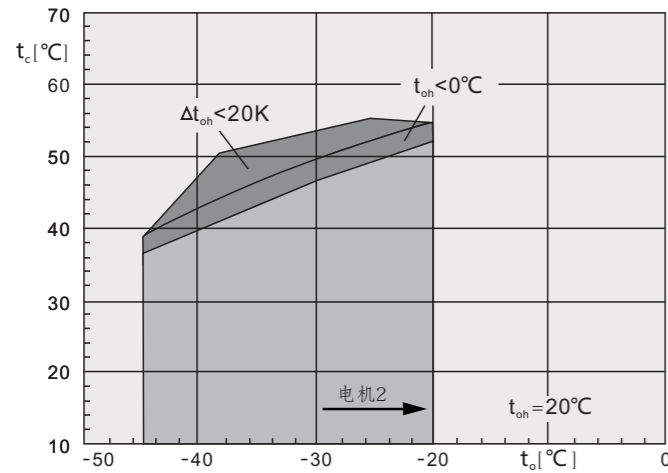
应用范围

基于吸气温度20°C

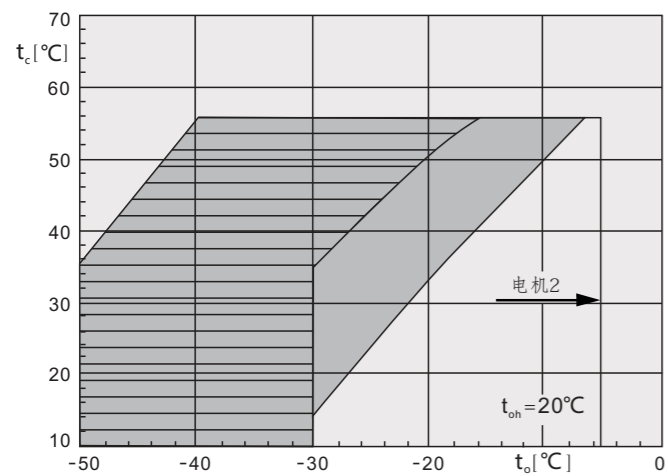
PERFORMANCES

性能参数 R134a

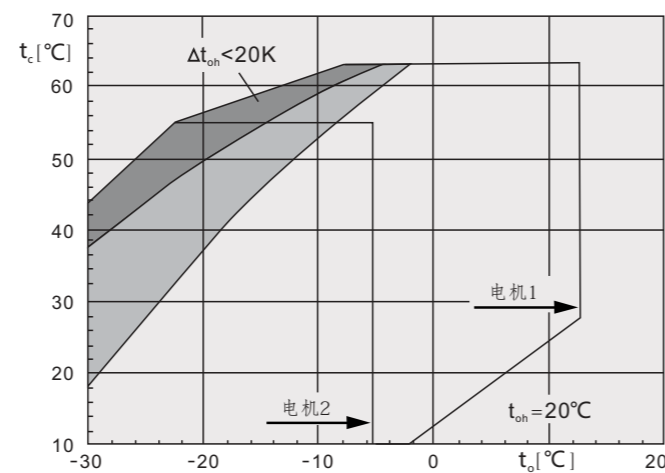
R22
RFC4D-3.2—RFC4D-5.2
空气冷却-直接吸气冷却



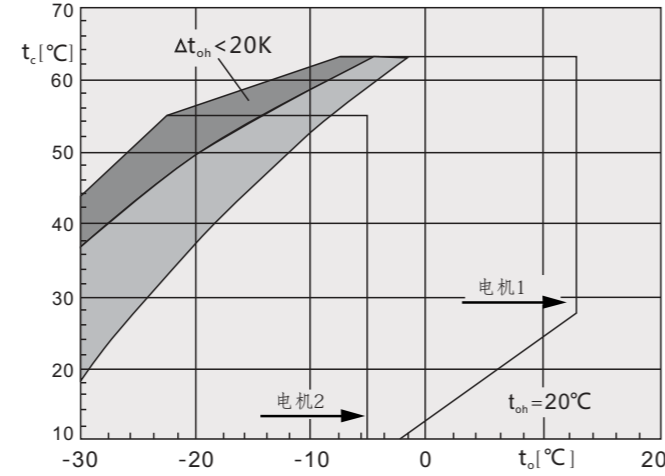
R22
RFC4D-8.2—RFC6D-40.2



R22
RFC4D-3.2—RFC4G-9.2
吸气冷却



R22
RFC4D-8.2—RFC6G-50.2



t_o Evaporating temperature(°C) t_o 蒸发温度(°C)
 t_{oh} Suction gas temperature(°C) t_{oh} 吸气温度(°C)
 Δt_{oh} Suction superheat(K) Δt_{oh} 吸气过热度(K)
 t_c Condensing temperature(°C) t_c 冷凝温度(°C)

Additional cooling 附加冷却
 Additional cooling&limited suction gas temperature 附加冷却+限制最高吸气温度
 Additional cooling&liquid injection cooling system 附加冷却+喷液冷却系统

型号 Model	冷凝温度 Condensing Temperature °C	制冷量 Refrigerating Capacity Qo(W) 功率消耗 Power Consumption Pe(kW)														
		蒸发温度 Evaporating Temperature(°C)														
		↓ 12.5	10	7.5	5	0	-5	-10	-15	-20	-25	-30	-35	-40	-45	-50
RFC4D-3.2	30	Qo 15960	14520	13190	11960	9760	7870	6260	4900	3740	2780	1970				
		Pe 2.23	2.21	2.19	2.15	2.07	1.95	1.81	1.65	1.47	1.26	1.04				
	40	Qo 14070	12790	11610	10510	8540	6860	5420	4190	3160	2290	1570				
	Pe 2.64	2.60	2.55	2.49	2.36	2.20	2.02	1.81	1.58	1.33	1.05					
	50	Qo 12250	11130	10090	9120	7390	5900	4630	3540	2630	1860	1220				
	Pe 3.04	2.96	2.88	2.80	2.61	2.41	2.19	1.94	1.66	1.36	1.02					
RFC4G-5.2	50	Qo 12200	11090	10060	9090	7370	5890	4620	3540	2630						
		Pe 3.19	3.11	3.02	2.93	2.72	2.49	2.24	1.97	1.67						
	60	Qo 10490	9530	8630	7800	6300	5010	3900	2960	2160						
	Pe 3.59	3.49	3.37	3.25	3.00	2.72	2.42	2.09	1.74							
	70	Qo 8800	7990	7230	6530	5260	4160	3210	2410	1720						
	Pe 3.99	3.85	3.71	3.57	3.27	2.94	2.58	2.20	1.79							
RFC4D-4.2	30	Qo 20700	18850	17120	15510	12660	10220	8160	6410	4960	3750	2760				
		Pe 2.80	2.84	2.86	2.86	2.82	2.72	2.57	2.38	2.16	1.91	1.64				
	40	Qo 18210	16550	15020	13600	11060	8900	7050	5490	4190	3100	2200				
	Pe 3.48	3.47	3.44	3.39	3.25	3.06	2.83	2.55	2.25	1.92	1.58					
	50	Qo 15740	14300	12960	11720	9500	7600	5970	4590	3420	2450	1640				
	Pe 4.13	4.06	3.98	3.88	3.64	3.36	3.03	2.67	2.27	1.86	1.42					
RFC4G-6.2	50	Qo 15710	14270	12940	11710	9490	7600	5970	4590	3430						
		Pe 4.16	4.09	4.00	3.89	3.65	3.35	3.02	2.65	2.24						
	60	Qo 13350	12120	10970	9900	7990	6340	4920	3710	2690						
	Pe 4.81	4.68	4.53	4.37	4.01	3.61	3.17	2.70	2.21							
	70	Qo 11030	10000	9030	8140	6520	5110	3910	2870	1990						
	Pe 5.44	5.24	5.03	4.81	4.34	3.83	3.28	2.71	2.11							
RFC4D-5.2	30	Qo 24600	22450	20400	18510	15140	12250	9790	7700	5930	4440	3210				
		Pe 3.61	3.55	3.49	3.42	3.26	3.08	2.86	2.62	2.35	2.05	1.72				
	40	Qo 21700	19750	17940	16270	13260	10690	8480	6610	5030	3700	2600				
	Pe 4.30	4.21	4.12	4.02	3.79	3.53	3.23	2.91	2.56	2.17	1.75					
	50	Qo 18880	17170	15580	14110	11460	9190	7240	5590	4190	3020	2050				
	Pe 4.96	4.84	4.71	4.57	4.27	3.93	3.56	3.15	2.71	2.23	1.73					
RFC4G-7.2	50	Qo 18800	17100	15520	14050	11430	9170	7230	5580	4190						
		Pe 4.99	4.86	4.73	4.58	4.27	3.92	3.54	3.13	2.69						
	60	Qo 16160	14680	13310	12030	9750	7770	6090	4650	3440						
	Pe 5.62	5.46	5.28	5.10	4.70	4.28	3.82	3.33	2.80							
	70	Qo 13580	12330	11170	10080	8140	6460	5020	3800	2770						
	Pe 6.27	6.06	5.84	5.61	5.13	4.63	4.09	3.51	2.90							
RFC4D-6.2	30	Qo 29550	26900	24450	22200	18170	14720	11770	9270	7170	5410	3950				
		Pe 4.35	4.28	4.20	4.10	3.89	3.64	3.35	3.04	2.70	2.33	1.95				
	40	Qo 26000	23650	21500	19490	15910	12830	10210	7980	6100	4520	3210				
	Pe 5.25	5.13	5.00	4.85	4.54	4.18	3.80	3.38	2.94	2.48	2.00					
	50	Qo 22550	20500	18630	16880	13740	11040	8730	6760	5100	3700	2540				
	Pe 6.08	5.90	5.72	5.53	5.11	4.66	4.17	3.66	3.13	2.57	1.99					
RFC4G-9.2	50	Qo 22550	20550	18640	16890	13750	11040	8730	6770	5100						
		Pe 6.07	5.90	5.72	5.53	5.12	4.66	4.18	3.66	3.12						
	60	Qo 19250	17500	15870	14360	11650	9320	7320	5620	4180						
	Pe 6.86	6.63	6.39	6.14	5.62	5.07	4.49	3.89	3.25							
	70	Qo 15970	14520	13160	11900	9620	7660	5980	4560	3350						
	Pe 7.57	7.29	6.99	6.69	6.07	5.43	4.76	4.06	3.34							

参数基于吸气温度20°C, 50Hz, 液体无过冷。Suction gas temperature 20°C, 50Hz, without liquid subcooling.
 附加冷却或限制吸气温度。Additional cooling or limited suction gas temperature.



PERFORMANCES

性能参数 R134a

冷凝温度 型号 Condensing Model Temperature °C	制冷量 Refrigerating Capacity Qo(W) 功率消耗 Power Consumption Pe(kW)														
	蒸发温度 Evaporating Temperature(°C)														
	↓ 12.5	10	7.5	5	0	-5	-10	-15	-20	-25	-30	-35	-40	-45	-50
RFC4D-8.2	30	Qo 38400	35000	31800	28900	23600	19120	15280	12030	9280	6980	5080			
		Pe 5.05	5.12	5.16	5.16	5.05	4.83	4.53	4.15	3.73	3.28	2.84			
	40	Qo 33950	30900	28050	25400	20700	16670	13220	10290	7810	5730	3990			
	Pe 6.63	6.52	6.39	6.24	5.87	5.43	4.93	4.40	3.83	3.26	2.69				
RFC4G-12.2	50	Qo 29350	26700	24200	21900	17730	14170	11110	8520	6320	4470	2930			
		Pe 7.88	7.64	7.38	7.10	6.52	5.89	5.23	4.54	3.84	3.14	2.44			
	60	Qo 24450	22150	19990	18000	14420	11340	8710	6460	4560					
	Pe 8.49	8.18	7.86	7.51	6.79	6.02	5.21	4.40	3.58						
RFC4D-10.2	30	Qo 44850	40850	37150	33700	27550	22300	17790	13960	10730	8020	5760			
		Pe 5.88	6.01	6.08	6.10	5.99	5.73	5.33	4.84	4.30	3.73	3.17			
	40	Qo 39600	36000	32700	29650	24150	19410	15360	11920	9000	6540	4480			
	Pe 7.63	7.56	7.45	7.29	6.89	6.38	5.77	5.11	4.41	3.70	3.01				
RFC4G-15.2	50	Qo 34700	31450	28450	25650	20650	16350	12680	9560	6930					
		Pe 8.78	8.54	8.28	8.00	7.36	6.65	5.88	5.07	4.24					
	60	Qo 29250	26500	23900	21500	17170	13450	10270	7550	5260					
	Pe 9.80	9.44	9.06	8.67	7.83	6.94	6.01	5.05	4.07						
RFC4D-12.2	30	Qo 50900	46300	42100	38250	31300	25350	20250	15930	12290	9240	6700			
		Pe 7.45	7.40	7.33	7.22	6.93	6.55	6.10	5.58	5.01	4.41	3.79			
	40	Qo 45300	41200	37450	33950	27700	22300	17680	13760	10440	7650	5320			
	Pe 9.16	8.97	8.75	8.50	7.95	7.33	6.65	5.92	5.17	4.39	3.61				
RFC4G-20.2	50	Qo 40250	36500	33000	29800	23950	18970	14690	11040	7940					
		Pe 10.42	10.11	9.77	9.41	8.63	7.77	6.85	5.88	4.89					
	60	Qo 33900	30650	27650	24850	19850	15530	11830	8690	6020					
	Pe 11.65	11.20	10.72	10.22	9.18	8.10	6.98	5.84	4.70						
RFC4D-15.2	30	Qo 69100	62800	57000	51600	49150	33700	26700	20850	15920	11840	8500			
		Pe 10.40	10.07	9.74	9.41	8.74	8.07	7.38	6.67	5.95	5.20	4.42			
	40	Qo 61300	55700	50400	45600	37000	29600	23350	18100	13700	10060	7080			
	Pe 12.46	11.93	11.43	10.93	9.97	9.04	8.13	7.23	6.32	5.39	4.44				
RFC4G-25.2	50	Qo 54100	49050	44400	40100	32400	25800	20250	15570	11660	8430	5800			
		Pe 14.24	13.54	12.87	12.22	10.99	9.81	8.69	7.59	6.51	5.43	4.34			
	60	Qo 47100	42700	38600	34800	28000	22200	17320	13190	9760					
	Pe 15.04	14.27	13.53	12.81	11.44	10.13	8.89	7.69	6.53						
RFC6D-25.2	30	Qo 103800	94300	85600	77400	63000	50600	40100	31300	23900	17780	12760			
		Pe 15.62	15.12	14.62	14.12	13.12	12.11	11.08	10.02	8.93	7.81	6.64			
	40	Qo 92000	83600	75700	68500	55500	44450	35100	27150	20550	15100	10630			
	Pe 18.70	17.92	17.15	16.41	14.97	13.57	12.20	10.85	9.49	8.10	6.66				
RFC6G-35.2	50	Qo 81100	73600	66600	60200	48600	38800	30400	23400	17510	12660	8710			
		Pe 21.40	20.30	19.33	18.35	16.49	14.73	13.04	11.40	9.78	8.16	6.51			
	60	Qo 70700	64100	57900	52200	42050	33400	26000	19810	14650					
	Pe 22.60	21.40	20.30	19.24	17.17	15.21	13.34	11.54	9.80						
RFC6D-30.2	30	Qo 117900	107100	97200	88000	71600	57600	45700	35650	27300	20350	14660			
		Pe 18.68	18.23	17.76	17.26	16.18	15.01	13.74	12.40	10.97	9.48	7.93			
	40	Qo 104600	95000	86100	77900	63200	50700	40000	31050	23550	17360	12280			
	Pe 22.00	21.20	20.40	19.65	18.05	16.43	14.77	13.10	11.39	9.67	7.92				
RFC6G-40.2	50	Qo 92300	83800	75800	68500	55400	44250	34800	26800	20150	14650	10160			
		Pe 25.00	23.90	22.80	21.70	19.60	17.51	15.47	13.46	11.49	9.55	7.65			
	60	Qo 80500	73000	66000	59600	48050	38200	29850	22800	16960					
	Pe 26.50	25.20	24.00	22.70	20.30	17.99	15.74	13.55	11.41						
RFC6D-40.2	30	Qo 138400	125800	114200	103400	84200	67900	53900	42200	32400	24250	17570			
		Pe 22.20	21.60	21.10	20.50	19.27	17.91	16.44	14.87	13.20	11.44	9.59			
	40	Qo 122900	111700	101300	91700	74500	59900	47400	36900	28150	20850	14900			
	Pe 25.80	24.90	24.00	23.10	21.20	19.33	17.39	15.42	13.42	11.41	9.38				
RFC6G-50.2	50	Qo 108700	98700	89500	80900	65600	52500	41450	32100	24250	17800	12520			
		Pe 29.90	28.50	27.10	25.80	23.10	20.60	18.16	15.79	13.48	11.23	9.03			
	60	Qo 95000	86300	78100	70600	57100	45550	35750	27500	20650					
	Pe 32.60	30.80	29.10	27.50	24.40	21.40	18.67	16.05	13.55						
RFC6D-20.2	30	Qo 78500	71400	64800	58600	47700	38350	30450	23800	18190	13560	9770			
		Pe 12.45	12.15	11.83	11.50	10.78	10.00	9.16	8.26	7.31	6.32	5.28			
	40	Qo 69700	63300	57400	51900	42100	33750	26650	20700	15700	11570	8190			
	Pe 14.65	14.14	13.62	13.09	12.03	10.95	9.85	8.73	7.59	6.44	5.28				
RFC4D-20.2	50	Qo 61500	55800	50500	45650	36950	29500	23200	17870	13430	9760	6770			
		Pe 16.67	15.93	15.20	14.48	13.06	11.67	10.31	8.97	7.66	6.37	5.10			
	60	Qo 53700	48650	44000	39700	32000	25450	19890	15210	11300					
	Pe 17.65	16.80	15.96	15.14	13.54	11.99	10.49	9.03	7.60						
RFC4G-30.2	50	Qo 61500	55800	50500	45650	36950	29500	23200	17870	13430					
		Pe 16.09	15.42	14.76	14.10	12.79	11.50	10.22	8.94	7.67					
	60	Qo 45900	41600	37600	33850	27200	21550	16720	12680	9320					
	Pe 19.22	18.16	17.14	16.15	14.25	12.46	10.75	9.12	7.55						
RFC4G-20.2	30	Qo 34700	31450	28450	25650	20650	16350	12680	9560	6930					
		Pe 8.78	8.54	8.28	8.00	7.36	6.65	5.88	5.07	4.24					
	40	Qo 29250	26500	23900	21500	17170	13450	10270	7550	5260					
	Pe 9.80	9.44	9.06	8.67	7.83	6.94	6.01	5.05	4.07						
RFC6D-30.2	50	Qo 92300	83800	75800	68500	55400	44250	34800	26800	20150					
		Pe 25.00	23.90	22.80	21.70	19.60	17.51	15.47	13.46	11.49					
	60	Qo 80500	73000	66000	59600	48050	38200	29850	22800	16960					
	Pe 26.50	25.20	24.00	22.70	20.30	17.99	15.74	13.55	11.41						
RFC6G-30.2	30	Qo 117900	107100	97200	88000	71600	57600	45700	35650	27300	20350	14660			
		Pe 18.68	18.23	17.76	17.26	16.18	15.01	13.74	12.40	10.97	9.48	7.93			
	40	Qo 104600	95000	86100	77900	63200	50700	40000	31050	23550	17360	12280			
	Pe 22.00	21.20	20.40	19.65	18.05	16.43	14.77	13.10	11.39	9.67	7.92				
RFC6D-40.2	50	Qo 92300	83800	75800	68500	55400	44250	34800	26800	20150					
		Pe 25.00	23.90	22.80	21.70	19.60	17.51	15.47	13.46	11.49					
	60	Qo 80500	73000	66000	59600	48050	38200	29850	22800	16960					
	Pe 26.50	25.20	24.00	22.70	20.30	17.99	15.74	13.55	11.41						
RFC6G-40.2	30	Qo 138400	125800	114200	103400	84200	67900	53900	42200	32400	24250	17570			
		Pe 22.20	21.60	21.10	20.50	19.27	17.91	16.44	14.87	13.20	11.44	9.59			
	40	Qo 122900	111700	101300	91700	74500	59900	47400	36900	28150	20850	14900			
	Pe 25.80	24.90	24.00	23.10	21.20	19.33	17.39	15.42	13.42	11.41	9.38				
RFC6															



PERFORMANCES

性能参数 R22

冷凝温度 型号 Condensing Model Temperature °C	制冷量 Refrigerating Capacity Qo(W) 功率消耗 Power Consumption Pe(kW)															
	蒸发温度 Evaporating Temperature(°C)															
	↓	12.5	10	7.5	5	0	-5	-10	-15	-20	-25	-30	-35	-40	-45	-50
RFC4D-3.2	30	Qo					12760	10380	8310	7070	5540	4260	3190	2300		
	Pe						3.25	3.07	2.86	2.68	2.43	2.17	1.93	1.71		
40	Qo					11220	9030	7140	6010	4650	3510	2560	1790			
	Pe					3.78	3.48	3.16	2.96	2.62	2.28	1.97	1.70			
50	Qo					9650	7670	5950	4960	3770	2770	1940				
	Pe					4.22	3.82	3.42	3.25	2.88	2.52	2.13				
RFC4G-5.2	30	Qo	24400	22350	20500	18720	15540	12780	10390	8320	6550	5030	3740			
	Pe		2.84	2.97	3.06	3.13	3.17	3.12	2.99	2.80	2.57	2.32	2.07			
40	Qo	21800	19960	18250	16650	13750	11230	9040	7150	5530	4130	2950				
	Pe		4.00	4.02	4.02	3.99	3.86	3.66	3.40	3.11	2.80	2.49	2.21			
50	Qo	19180	17530	15980	14530	11920	9640	7660	5950	4480	3220					
	Pe		5.00	4.93	4.84	4.72	4.45	4.12	3.76	3.39	3.02	2.67				
RFC4D-4.2	30	Qo					15780	12860	10350	8820	6930	5340	4010	2910		
	Pe						3.97	3.78	3.54	3.31	3.07	2.76	2.41	2.09		
40	Qo					13840	11180	8880	7550	5860	4440	3270	2300			
	Pe					4.60	4.28	3.92	3.66	3.32	2.94	2.55	2.17			
50	Qo					11860	9450	7360	6160	4690	3450	2420				
	Pe					5.11	4.68	4.24	4.01	3.57	3.04	2.49				
RFC4G-6.2	30	Qo	29950	27500	25200	23050	19160	15800	12880	10360	8200	6350	4780			
	Pe		3.43	3.64	3.79	3.90	3.98	3.91	3.73	3.47	3.17	2.86	2.58			
40	Qo	26750	24500	22400	20450	16930	13860	11190	8890	6910	5210	3770				
	Pe		4.97	5.03	5.03	5.00	4.83	4.56	4.22	3.84	3.46	3.12	2.84			
50	Qo	23450	21450	19570	17810	14630	11850	9440	7350	5560	4020					
	Pe		6.31	6.22	6.09	5.94	5.56	5.12	4.65	4.19	3.77	3.43				
RFC4D-5.2	30	Qo					19140	15600	12540	10300	8110	6260	4690	3380		
	Pe						4.77	4.51	4.21	3.93	3.62	3.27	2.91	2.55		
40	Qo					16830	13590	10800	8830	6880	5220	3820	2650			
	Pe					5.56	5.14	4.70	4.35	3.92	3.49	3.05	2.62			
50	Qo					14480	11550	9020	7280	5570	4120	2920				
	Pe					6.23	5.6	5.09	4.67	4.23	3.82	3.39				
RFC4G-7.2	30	Qo	36400	33400	30600	28000	23250	19160	15610	12540	9910	7670	5760			
	Pe		4.21	4.37	4.49	4.57	4.63	4.56	4.40	4.15	3.85	3.51	3.15			
40	Qo	32500	29750	27200	24850	20550	16830	13600	10800	8400	6340	4590				
	Pe		5.83	5.86	5.86	5.82	5.66	5.40	5.06	4.67	4.24	3.80	3.36			
50	Qo	28500	26100	23800	21700	17830	14480	11560	9030	6850	4970					
	Pe		7.28	7.19	7.07	6.93	6.57	6.14	5.65	5.13	4.61	4.09				
RFC4D-6.2	30	Qo					22950	18740	15120	12000	9340	7070				
	Pe						5.76	5.48	5.16	4.80	4.39	3.91				
40	Qo					20250	16410	13090	10230	7780	5700					
	Pe					6.62	6.18	5.72	5.22	4.68	4.09					
50	Qo					17510	14010	10990	8390	6160						
	Pe					7.50	6.91	6.30	5.67	5.00						
RFC4G-9.2	30	Qo	43300	39750	36450	33350	27800	22950	18750	15120	12000	9330	7060			
	Pe		5.50	5.69	5.82	5.90	5.92	5.78	5.53	5.18	4.77	4.34	3.93			
40	Qo	38900	35650	32600	29800	24700	20250	16420	13100	10240	7790	5710				
	Pe		7.45	7.42	7.36	7.26	7.00	6.64	6.21	5.72	5.20	4.66	4.13			
50	Qo	34250	31350	28650	26100	21500	17500	14010	10990	8380	6150					
	Pe		9.27	9.05	8.82	8.57	8.06	7.50	6.92	6.30	5.66	4.99				
RFC4D-8.2	30	Qo					30700	25200	20450	16370	12880	9830	7320	5220		
	Pe						7.30	6.91	6.44	5.89	5.29	4.66	4.01	3.35		
40	Qo					27100	22150	17840	14150	11000	8200	5920	4010			
	Pe					8.39	7.77	7.11	6.42	5.70	5.06	4.31	3.51			
50	Qo					23450	19050	15250	11880	9050	6640	4610	2910			
	Pe					9.40	8.586	7.73	6.90	6.09	5.25	4.37	3.43			

参数基于吸气温度20°C, 50Hz, 液体无过冷。Suction gas temperature 20°C, 50Hz, without liquid subcooling.
 VARICOOOL系统, 附加冷却, 改变吸气阀位置。VARICOOOL system, additional cooling, position of suction valve changed.
 附加冷却或限制吸气温度。Additional cooling or limited suction gas temperature.
 附加冷却和喷液冷却系统。Additional cooling & liquid injection cooling system.



PERFORMANCES

性能参数 R22

冷凝温度 型号 Condensing Model Temperature °C	制冷量 Refrigerating Capacity Qo(W) 功率消耗 Power Consumption Pe(kW)															
	蒸发温度 Evaporating Temperature(°C)															
	↓	12.5	10	7.5	5	0	-5	-10	-15	-20	-25	-30	-35	-40	-45	-50
RFC4G-12.2	30	Qo	57100	52400	48100	44000	36700	30350	24800	20050	15930	12410	9410			
	Pe		6.90	7.04	7.13	7.18	7.17	7.00	6.70	6.28	5.76	5.15	4.46			
40	Qo	50800	46650	42750	39100	32550	26800	21850	17550	13850	10680	7980				
	Pe		9.07	9.03	8.95	8.84	8.52	8.09	7.56	6.95	6.27	5.55	4.79			
50	Qo	44400	40700	37250	34050	28200	23150	18770	14980	11730	8950					
	Pe		11.07	10.87	10.64	10.38	9.80	9.13	8.39	7.59	6.74	5.86				
RFC4D-10.2	30	Qo					35650	29250	23700	18940	14860	11330	8390	5920		
	Pe						8.44	8.03	7.49	6.86	6.14	5.46	4.70	3.96		
40	Qo					31450	25700	20700	16390	12710	9500	6850	4630			
	Pe					9.74	9.03	8.25	7.42	6.56	5.68	4.83	4.02			
50	Qo					27300	22150	17700	13800	10510	7700	5330	3350			
	Pe					10.92	9.94	8.93	7.95	6.91	5.89	4.93	4.04			
RFC4G-15.2	30	Qo	68400	62800	57600	52700	43800	36150	29500	23750	18810	14590	11000			
	Pe		8.33	8.45	8.52	8.54	8.45	8.20	7.81	7.28	6.65	5.93	5.14			
40	Qo	60900	55900	51200	46800	38850	31950	26000	20800	16360	12550	9320				
	Pe		10.65	10.57	10.45	10.29	9.88	9.35	8.72	8.00	7.21	6.36	5.49			
50	Qo	53300	48900	44700	40800	3380	27700	22400	17860	13940	10610					
	Pe		12.86	12.58	12.27	11.94	11.23	10.45	9.60	8.70	7.74	6.73				
RFC4D-12.2	30	Qo					41150	33750	27400	21900	17210	12990	9600	6760		
	Pe						10.01	9.46	8.79	8.02	7.16	6.29	5.41	4.55		
40	Qo					36650	29950	24150	19170	14910	11040	7960	5400			
	Pe					11.46	10.60	9.66	8.66	7.64	6.66	5.67	4.75			
50	Qo					32050	26050	20850	16150	12280	8980	6200	3880			
	Pe					12.77	11.63	10.43	9.27	8.09	6.94	5.84	4.81			
RFC4G-20.2	30	Qo	79100	72600	66600	61000	50800	41900	34250	27600	21900	16980	12810			
	Pe		10.60	10.62	10.59	10.53	10.29	9.92	9.41	8.77	8.02	7.15	6.18			
40	Qo	70600	64800	59300	54200	45000	37000	30100	24100	18920	14500	10750				
	Pe		13.15	13.02	12.85	12.63	12.06	11.34	10.51	9.58	8.59	7.54	6.48			
50	Qo	61900	56700	51900	47400	39250	32150	26000	20650	16050	12130					
	Pe		15.74	15.40	15.01	14.59	13.65	12.60	11.46	10.26	9.02	7.78				
RFC4D-15.2	30	Qo					52300	42700	34450	27350	21300	16400	12000	8310		
	Pe						12.73	11.93	11.01	9.98	8.82	7.82	6.73	5.98		



PERFORMANCES

性能参数 R22

冷凝温度 型号 Condensing Model Temperature °C	制冷量 Refrigerating Capacity Qo(W) 功率消耗 Power Consumption Pe(kW)															
	蒸发温度 Evaporating Temperature(°C)															
	↓	12.5	10	7.5	5	0	-5	-10	-15	-20	-25	-30	-35	-40	-45	-50
RFC6D-25.2	30	Qo	78500	64100	51700	41050	31950	24600	18010	12460						
		Pe	19.10	17.89	16.51	14.96	13.23	12.34	10.70	8.99						
	40	Qo	70300	57200	45850	36100	27750	20750	14710	9660						
	Pe	22.40	20.70	18.84	16.79	14.63	13.01	10.96	8.86							
	50	Qo	62600	50600	40250	31350	23700	17240	11870	7440						
	Pe	25.60	23.50	21.20	18.68	16.28	13.81	11.27	8.66							
RFC6G-35.2	30	Qo	149100	136900	125500	114800	95600	79000	64500	52000	41300	32200	24400			
		Pe	20.90	20.60	20.40	20.00	19.27	18.34	17.24	15.96	14.52	12.90	11.12			
	40	Qo	134600	123500	113200	10350	86000	70800	57600	46200	36400	28050	20900			
	Pe	25.20	24.70	24.30	23.70	22.60	21.30	19.78	18.12	16.29	14.30	12.14				
	50	Qo	120900	110800	101400	92700	76800	63000	51000	40600	31700	24050				
	Pe	29.40	28.80	28.10	27.40	25.90	24.20	22.30	20.20	17.92	15.50					
RFC6D-30.2	30	Qo	90000	73500	59300	47100	36750	28400	20850	14480						
		Pe	22.00	20.50	18.96	17.27	15.43	14.48	12.59	10.65						
	40	Qo	80600	65600	52700	41600	32200	24100	17130	11280						
	Pe	26.10	24.10	21.90	19.61	17.14	15.50	13.10	10.68							
	50	Qo	71700	58200	46500	36300	27500	20050	13840	8670						
	Pe	30.10	27.60	25.00	22.31	19.71	16.85	13.79	10.58							
RFC6G-40.2	30	Qo	171300	157200	144100	131800	109700	90600	74000	59700	47500	37100	28300			
		Pe	24.60	24.40	24.00	23.60	22.70	21.50	20.20	18.68	17.05	15.32	13.51			
	40	Qo	154600	141800	129800	118600	98500	81100	66000	53000	41900	32450	24500			
	Pe	29.70	29.20	28.60	28.00	26.60	25.00	23.20	21.30	19.26	17.11	14.89				
	50	Qo	138500	127000	116200	106100	88000	72200	58500	46800	36750	28200				
	Pe	35.20	34.40	33.50	32.60	30.70	28.60	26.40	24.10	21.70	19.38					
RFC6D-40.2	30	Qo	106100	86800	70100	55900	43800	34000	25100	17600						
		Pe	27.40	25.50	23.50	21.20	18.92	17.07	14.95	12.96						
	40	Qo	95300	77700	62600	49650	38700	29150	20900	13960						
	Pe	31.90	29.50	27.00	24.30	21.40	18.61	15.80	13.06							
	50	Qo	85100	69200	55600	43600	33250	24450	17060	10890						
	Pe	36.40	33.50	30.40	27.04	23.71	20.21	16.60	12.94							
RFC6G-50.2	30	Qo	201400	184800	169400	155000	129100	106700	87300	70600	56300	44150	33900			
		Pe	31.90	31.40	30.80	30.20	28.70	27.10	25.30	23.30	21.20	18.97	16.66			
	40	Qo	181700	166700	152800	139800	116300	95900	78300	63100	50100	39050	29700			
	Pe	37.60	36.90	36.10	35.20	33.30	31.30	29.00	26.60	24.00	21.30	18.44				
	50	Qo	163200	149700	137100	125300	104100	85700	69700	56000	44250	34250				
	Pe	43.00	42.10	41.10	40.10	37.90	35.50	32.80	29.90	26.80	23.50					
RFC6DS-20.2	30	Qo	35500	29700	24500	19970	15960	12400	9180							
		Pe	15.46	14.21	12.95	11.68	10.41	9.15	7.91							
	40	Qo	34750	29100	24050	19560	15560	11940	8590							
	Pe	17.61	16.12	14.64	13.15	11.67	10.19	8.71								
	50	Qo	34050	28500	23600	19210	15220									
	Pe	19.74	18.00	16.29	14.56	12.80										
RFC6DS-25.2	30	Qo	40800	34050	28150	22900	18320	14230	10540							
		Pe	17.75	16.31	14.86	13.41	11.95	10.51	9.08							
	40	Qo	39900	33400	27600	22450	17860	13700	9860							
	Pe	20.21	18.51	16.81	15.10	13.40	11.70	10.00								
	50	Qo	39100	32750	27100	22050	17470									
	Pe	22.66	20.67	18.70	16.72	14.70										
RFC6DS-30.2	30	Qo	48800	40750	33700	27400	21900	17030	12610							
		Pe	21.23	19.52	17.78	16.04	14.30	12.57	10.86							
	40	Qo	47750	39950	33000	26850	21350	16390	11790							
	Pe	24.18	22.15	20.11	18.07	16.03	13.99	11.96								
	50	Qo	46750	39200	32450	26400	20900									
	Pe	27.12	24.73	22.37	20.01	17.59										

参数基于吸气温度20℃, 50Hz, 液体无过冷。Suction gas temperature 20℃, 50Hz, without liquid subcooling.

■ 附加冷却或限制吸气温度。Additional cooling or limited suction gas temperature.

■ 附加冷却和喷液冷却系统。Additional cooling & liquid injection cooling system.



PERFORMANCES

性能参数 R404A/R507A

冷凝温度 型号 Condensing Model Temperature °C	制冷量 Refrigerating Capacity Qo(W) 功率消耗 Power Consumption Pe(kW)																
	蒸发温度 Evaporating Temperature(°C)																
	↓	7.5	5	0	-5	-10	-15	-20	-25	-30	-35	-40	-45	-50	-55	-60	-65
RFC4D-3.2	30	Qo	13720	11330	9260	7470	5940	4630	3510	2580	1800						
		Pe	3.85	3.66	3.44	3.18	2.90	2.58	2.24	1.88	1.50						
	40	Qo	11560	9520	7740	6200	4880	3750	2790	1980	1310						
	Pe	4.42	4.10	3.76	3.40	3.03	2.63	2.23	1.82	1.40							
	50	Qo	9450	7740	6260	4970	3860	2910	2110	1430							
	Pe	4.91	4.48	4.04	3.59	3.13	2.67	2.22	1.77								
RFC4G-5.2	30	Qo	21550	19790	16590	13810	11400	9320	7520	5970	4650	3530	2580				
		Pe	3.78	3.79	3.76	3.67	3.52	3.32	3.07	2.79	2.48	2.15	1.81				
	40	Qo	18240	16740	14020	11650	9580	7790	6240	4900	3760	2790	1970				
	Pe	4.65	4.60	4.46	4.25	3.99	3.69	3.35	2.98	2.59	2.18	1.76					
	50	Qo	14970	13730	11470	9500	7780	6280	4980	3860	2900	2090	1410				
	Pe	5.44	5.33	5.07	4.75	4.39	3.98	3.55	3.10	2.62	2.14	1.65					
RFC4D-4.2	30	Qo	17330	14290	11660	9400	7450	5800	4390	3210	2220						
		Pe	4.61	4.39	4.12	3.81	3.45	3.06	2.65	2.22	1.78						
	40	Qo	14440	11870	9650	7720	6070	4650	3450	2440	1590						
	Pe	5.28	4.93	4.53	4.10	3.64	3.15	2.65	2.14	1.63							
	50	Qo	11650	9550	7720	6130	4760	3590	2590	1750							
	Pe	5.86	5.39	4.87	4.33	3.77	3.19	2.60	2.02								
RFC4G-6.2	30	Qo	27500	25200	21100	17580	14500	11830	9530	7550	5860	4420	3210				
		Pe	4.73	4.75	4.73	4.62	4.43	4.17	3.85	3.48	3.08	2.65	2.21				
	40	Qo	23150	21250	17780	14750	12120	9840	7860	6160	4700	3470	2420				
	Pe	5.87	5.81	5.62	5.35	5.01	4.61	4.17	3.68	3.17	2.65	2.12					
	50	Qo	18930	17360	14490	11980	9790	7890	6240	4820	3600	2570	1710				
	Pe	6.86	6.72	6.37	5.95	5.47	4.95	4.38	3.79	3.19	2.58	1.97					
RFC4D-5.2	30	Qo	21100	17420	14220	11470	9100										

PERFORMANCES

性能参数 R404A/R507A

型号 Model	冷凝温度 Condensing Temperature °C	制冷量 Refrigerating Capacity Qo(W) 功率消耗 Power Consumption Pe(kW)																		
		蒸发温度 Evaporating Temperature(°C)																		
		↓	7.5	5	0	-5	-10	-15	-20	-25	-30	-35	-40	-45	-50	-55	-60	-65	-70	
RFC4G-12.2	30	Qo	51500	47200	39450	32750	26900	21900	17550	13830	10650	7960	5700							
	Pe	8.63	8.63	8.49	8.22	7.81	7.29	6.68	6.00	5.26	4.48	3.68								
	40	Qo	43500	39850	33300	27550	22600	18260	14530	11320	8590	6270	4320							
RFC4D-10.2	30	Qo	35400	32400	27050	22350	18230	14650	11550	8880	6590	4650	3020							
	Pe	12.28	11.93	11.17	10.33	9.42	8.45	7.45	6.42	5.39	4.36	3.36								
	40	Qo	38300	31600	25750	20700	16390	12690	9550	6910	4690									
RFC4G-15.2	30	Qo	61500	56400	47100	39050	32100	26000	20800	16320	12490	9240	6500							
	Pe	10.23	10.19	9.96	9.58	9.06	8.43	7.70	6.90	6.04	5.14	4.23								
	40	Qo	52200	47850	39950	33050	27050	21850	17360	13490	10190	7390	5020							
RFC4D-12.2	30	Qo	42600	39000	32500	26750	21800	17430	13680	10460	7710	5380	3420							
	Pe	14.27	13.78	12.78	11.73	10.66	9.55	8.43	7.28	6.11	4.94	3.75								
	40	Qo	44000	36250	29550	23750	18810	14580	11000	7980	5470									
RFC4G-20.2	30	Qo	71000	65100	54500	45250	37200	30250	24250	19070	14640	10860	7660							
	Pe	12.24	12.20	11.94	11.47	10.82	10.04	9.14	8.16	7.12	6.07	5.02								
	40	Qo	60500	55400	46250	38200	31250	25200	20000	15530	11730	8510	5820							
RFC4D-15.2	30	Qo	58500	48400	39700	32200	25750	20250	15560	11630	8350									
	Pe	15.78	14.84	13.79	12.63	11.40	10.10	8.77	7.43	6.10										
	40	Qo	49850	41150	33600	27100	21500	16730	12660	9240	6380									
RFC4G-25.2	30	Qo	90700	83200	69700	57900	47750	38950	31350	24800	19210	14460	10460							
	Pe	16.14	16.07	15.72	15.14	14.36	13.41	12.32	11.11	9.81	8.46	7.08								
	40	Qo	77400	71000	59500	49400	40650	33000	26450	20800	15930	11800	8320							
RFC4D-20.2	30	Qo	67100	55500	45400	36750	29350	23000	17600	13060	9260									
	Pe	18.22	17.12	15.89	14.55	13.12	11.62	10.08	8.53	6.97										
	40	Qo	57200	47300	38700	31200	24800	19250	14540	10540	7160									
RFC4G-30.2	30	Qo	103800	95300	79900	66500	54900	44900	36250	28800	22450	17040	12480							
	Pe	19.21	19.07	18.57	17.81	16.84	15.70	14.41	13.02	11.57	10.09	8.61								
	40	Qo	89100	81800	68600	57000	47000	38250	30700	24200	18610	13860	9850							

参数基于吸气温度20℃, 50Hz, 液体无过冷。Suction gas temperature 20°C, without liquid subcooling.
■ 附加冷却或限制吸气温度。Additional cooling or limited suction gas temperature.

PERFORMANCES

性能参数 R404A/R507A

型号 Model	冷凝温度 Condensing Temperature °C	制冷量 Refrigerating Capacity Qo(W) 功率消耗 Power Consumption Pe(kW)																	
		蒸发温度 Evaporating Temperature(°C)																	
		↓	7.5	5	0	-5	-10	-15	-20	-25	-30	-35	-40	-45	-50	-55	-60	-65	-70
RFC6D-25.2	30	Qo				87900	72500	59300	47800	38000	29700	22650	16740	11850					
	Pe				23.50	22.15	20.58	18.83	16.94	14.95	12.89	10.81	8.75						
	40	Qo				74700	61600	50200	40400	31900	24700	18590	13440	9130					
RFC6G-35.2	30	Qo	136000	124800	104500	86900	71600	58400	47000	37200	28800	21700	15720						
	Pe	25.11	24.84	24.07	23.04	21.77	20.29	18.64	16.83	14.91	12.89	10.81							
	40	Qo	116300	106600	89300	74100	60900	49450	39600	31100	23800	17670	12480						
RFC6D-30.2	30	Qo				98300	81200	66400	53600	42700	33350	25400	18760	13210					
	Pe				26.77	25.07	23.21	21.20	19.08	16.84	14.54	12.17	9.76						
	40	Qo				84000	69300	56600	45550	36050	27900	21000	15130	10210					
RFC6G-40.2	30	Qo	156100	143200	120000	99900	82500	67400	54300	43150	33600	25550	18730						
	Pe	30.46	29.91	28.66	27.20	25.57	23.77	21.82	19.75	17.56	15.28	12.93							
	40	Qo	133400	122400	102700	85400	70300	57300	46000	36300	28000	20900	14940						
RFC6D-40.2	30	Qo				118800	98100	80100	64700	51400	40100	30500	22400	15600					
	Pe				31.46	29.74	27.69	25.37	22.84	20.14	17.34	14.49	11.63						
	40	Qo				100900	83100	67600	54300	42800	32950	24600	17570	11680					
RFC6G-50.2	30	Qo	184400	169300	142200	118600	98100	80400	65200	52100	40900	31400	23450						
	Pe	36.24	35.76	34.49	32.87	30.95	28.79	26.43	23.94	21.38	18.79	16.23							
	40	Qo	157900	145000	121700	101300	83600	68300	55000	43600	33850	25600	18620						
RFC6DS-20.2	30	Qo							31900	27450	23300	19440	15910	12760	10020	7690	5770	4230	
	Pe								16.43	15.02	13.64	12.30	11.00	9.76	8.57	7.44	6.40	5.40	
	40	Qo							30600	26350	22350	18610	15230	12240	9640	7420	5540		
RFC6DS-25.2	30	Qo											18.53	16.90	15.32	13.79	12.33	10.92	9.57
	Pe												12.33	10.92	9.57	8.29	7.07		
	40	Qo											29350	25200	21350	17810	14630	11800	9280
RFC6DS-30.2	30	Qo											20.63	18.79	17.01	15.30	13.65	12.07	10.55
	Pe												12.07	10.55	9.22	8.00	6.93		
	40	Qo											36200	31300	26600	22250	18220	14620	11480
RFC6DS-35.2	30	Qo											18.84	17.27	15.71	14.16	12.65	11.19	9.80
	Pe												12.65	11.19	9.80	8.49	7.29	6.20	
	40	Qo											34900	30100	25500	21300	17420	14000	11040
RFC6DS-40.2	30	Qo											21.27	19.40	17.60	15.85	14.16	12.55	11.00
	Pe												12.55	11.00	9.52	8.13			
	40	Qo											33450	28750	24350	20350	16720	13490	10620
RFC6DS-45.2	30	Qo											23.71	21.58	19.35	17.56	15.67	13.85	12.10
	Pe												15.67	13.85	12.10				
	40	Qo											43400	37400	31750	26500	21700	17420	13690
RFC6DS-50.2	30	Qo											22.53	20.65	18.78	16.94	15.15	13.42	11.77
	Pe												13.42	11.77	10.20	8.74	7.40		
	40	Qo											41500	35700	30300	25300	20700	16680	13170
RFC6DS-55.2	30	Qo											25.20	23.10	21.01	18.96	16.95	15.00	13.14
	Pe												15.00	13.14	11.37	9.72			



TECHNICAL DATA

技术数据

压缩机型号 Compressor Model	电机名义功率 Nominal Motor-Power Hp/kW	排气量 Displacement m ³ /h 50/60Hz	缸数x直径 x行程 Number Of Cylinder x Diameter x Stroke mm	吸、排气接管 Suction, Discharge Line mm		油注入量 Oil Volume L	电源 Power Supply V/Ph/Hz	电气参数 Electrical Parameter		曲轴箱加热器 Crankcase Heater (220v) W	供油方式 Oil Supply Method	重量 Weight kg
				DL Discharge Valve	SL Suction Valve			最大工作 电流(A) Max Operating Current	启动、堵转 电流(A) Starting/ Locked Current			
RFC4D-3.2	3/2.2	18.1/21.8	4 x $\Phi 41 \times 39.3$	$\Phi 16$	$\Phi 22$	2	220-240△ /380- 420Y/3/50 265-290△ /440- 480Y/3/60	15.9/9.2	76.6/44.2	120	离心润滑 Centrifugal lubrication	82
RFC4G-5.2	5/3.7	18.1/21.8	4 x $\Phi 41 \times 39.3$	$\Phi 16$	$\Phi 22$	2		18.7/10.8	107.7/62.2	120		86
RFC4D-4.2	4/3	22.7/27.4	4 x $\Phi 46 \times 39.3$	$\Phi 22$	$\Phi 28$	2		18.5/10.7	92.7/53.2	120		84
RFC4G-6.2	6/4.4	22.7/27.4	4 x $\Phi 46 \times 39.3$	$\Phi 22$	$\Phi 28$	2		22.9/13.2	107.7/62.2	120		86
RFC4D-5.2	5/3.7	26.8/32.4	4 x $\Phi 50 \times 39.3$	$\Phi 22$	$\Phi 28$	2		23.4/13.5	107.7/62.2	120		85.5
RFC4G-7.2	7/5.1	26.8/32.4	4 x $\Phi 50 \times 39.3$	$\Phi 22$	$\Phi 28$	2		27.5/15.9	142.8/82.4	120		88.5
RFC4D-6.2	6/4.4	32.5/39.2	4 x $\Phi 55 \times 39.3$	$\Phi 22$	$\Phi 28$	2		27.5/15.9	142.8/82.4	120		90.5
RFC4G-9.2	9/6.6	32.5/39.2	4 x $\Phi 55 \times 39.3$	$\Phi 22$	$\Phi 28$	2		34.5/20	142.8/82.4	120		90.5
RFC4D-8.2	8/5.5	41.3/49.9	4 x $\Phi 60 \times 42$	$\Phi 28$	$\Phi 35$	2.6		17	49/81	120		134
RFC4G-12.2	12/8.8	41.3/49.9	4 x $\Phi 60 \times 42$	$\Phi 28$	$\Phi 35$	2.6		24	69/113	140		141
RFC4D-10.2	10/7.5	48.5/58.5	4 x $\Phi 65 \times 42$	$\Phi 28$	$\Phi 35$	2.6	21	59/99	140	139		
RFC4G-15.2	15/10.5	48.5/58.5	4 x $\Phi 65 \times 42$	$\Phi 28$	$\Phi 35$	2.6	31	81/132	140	147		
RFC4D-12.2	12/8.8	56.2/67.9	4 x $\Phi 70 \times 42$	$\Phi 28$	$\Phi 35$	2.6	24	69/113	140	141		
RFC4G-20.2	20/15	56.2/67.9	4 x $\Phi 70 \times 42$	$\Phi 28$	$\Phi 42$	2.6	37	97/158	140	150		
RFC4D-15.2	15/10.5	73.6/88.8	4 x $\Phi 70 \times 55$	$\Phi 28$	$\Phi 42$	4	31	81/132	140	183		



TECHNICAL DATA

技术数据

压缩机型号 Compressor Model	电机名义功率 Nominal Motor-Power Hp/kW	排气量 Displacement m ³ /h 50/60Hz	缸数x直径 x行程 Number Of Cylinder x Diameter x Stroke mm	吸、排气接管 Suction, Discharge Line mm		油注入量 Oil Volume L	电源 Power Supply V/Ph/Hz	电气参数 Electrical Parameter		曲轴箱加热器 Crankcase Heater (220v) W	供油方式 Oil Supply Method	重量 Weight kg
				DL Discharge Valve	SL Suction Valve			最大工作 电流(A) Max Operating Current	启动、堵转 电流(A) Starting/ Locked Current			
RFC4G-25.2	25/18.5	73.6/88.8	4 x $\Phi 70 \times 55$	$\Phi 28$	$\Phi 54$	4.5	380- 420Y/3/50 440- 480Y/3/60	45	116/193	140	油泵供油 Forced- lubrication	203
RFC4G-20.2	20/15	84.5/101.9	4 x $\Phi 75 \times 55$	$\Phi 28$	$\Phi 54$	4.5		37	97/158	140		192
RFC4G-30.2	30/22	84.5/101.9	4 x $\Phi 75 \times 55$	$\Phi 28$	$\Phi 54$	4.5		53	135/220	140		206
RFC6D-25.2	25/18.5	110.5/133.4	6 x $\Phi 70 \times 55$	$\Phi 35$	$\Phi 54$	4.75		45	116/193	140		224
RFC6G-35.2	35/25.5	110.5/133.4	6 x $\Phi 70 \times 55$	$\Phi 42$	$\Phi 54$	4.75		61	147/262	140		235
RFC6D-30.2	30/22	126.8/153.0	6 x $\Phi 75 \times 55$	$\Phi 35$	$\Phi 54$	4.75		53	135/220	140		228
RFC6G-40.2	40/30	126.8/153.0	6 x $\Phi 75 \times 55$	$\Phi 42$	$\Phi 54$	4.75		78	180/323	140		238
RFC6D-40.2	40/30	151.6/183.0	6 x $\Phi 82 \times 55$	$\Phi 42$	$\Phi 54$	4.75		78	180/323	140		239
RFC6G-50.2	50/37	151.6/183.0	6 x $\Phi 82 \times 55$	$\Phi 42$	$\Phi 54$	4.75		92	226/404	140		241
RFC6DS-20.2	20/15	73.6/36.9 88.8/44.5	6 x $\Phi 70/70 \times 55$	$\Phi 35$	$\Phi 42$	4.75		37	97/158	140		220
RFC6DS-25.2	25/18.5	84.5/42.3 101.9/51.1	6 x $\Phi 75/75 \times 55$	$\Phi 35$	$\Phi 42$	4.75	45	116/193	140	233		
RFC6DS-30.2	30/22	101.1/50.5 122.0/60.9	6 x $\Phi 82/82 \times 55$	$\Phi 35$	$\Phi 42$	4.75	53	135/220	140	234		

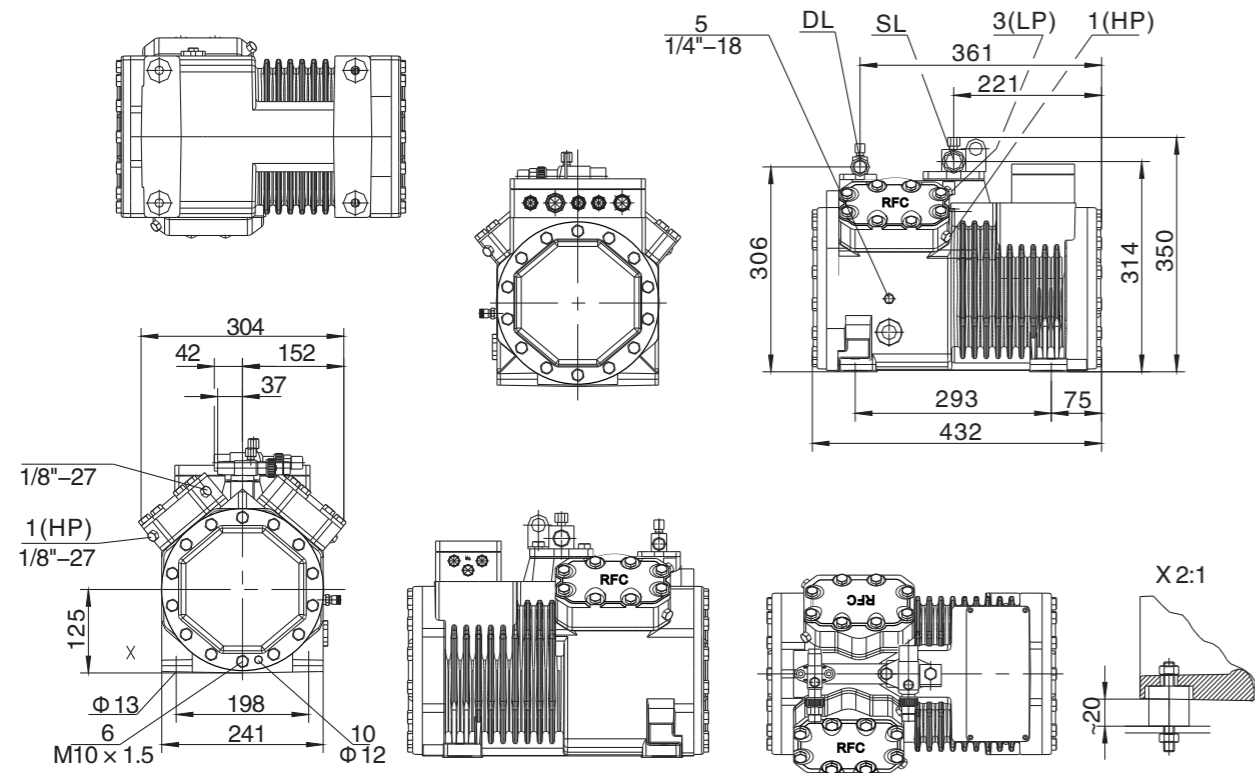
压缩机



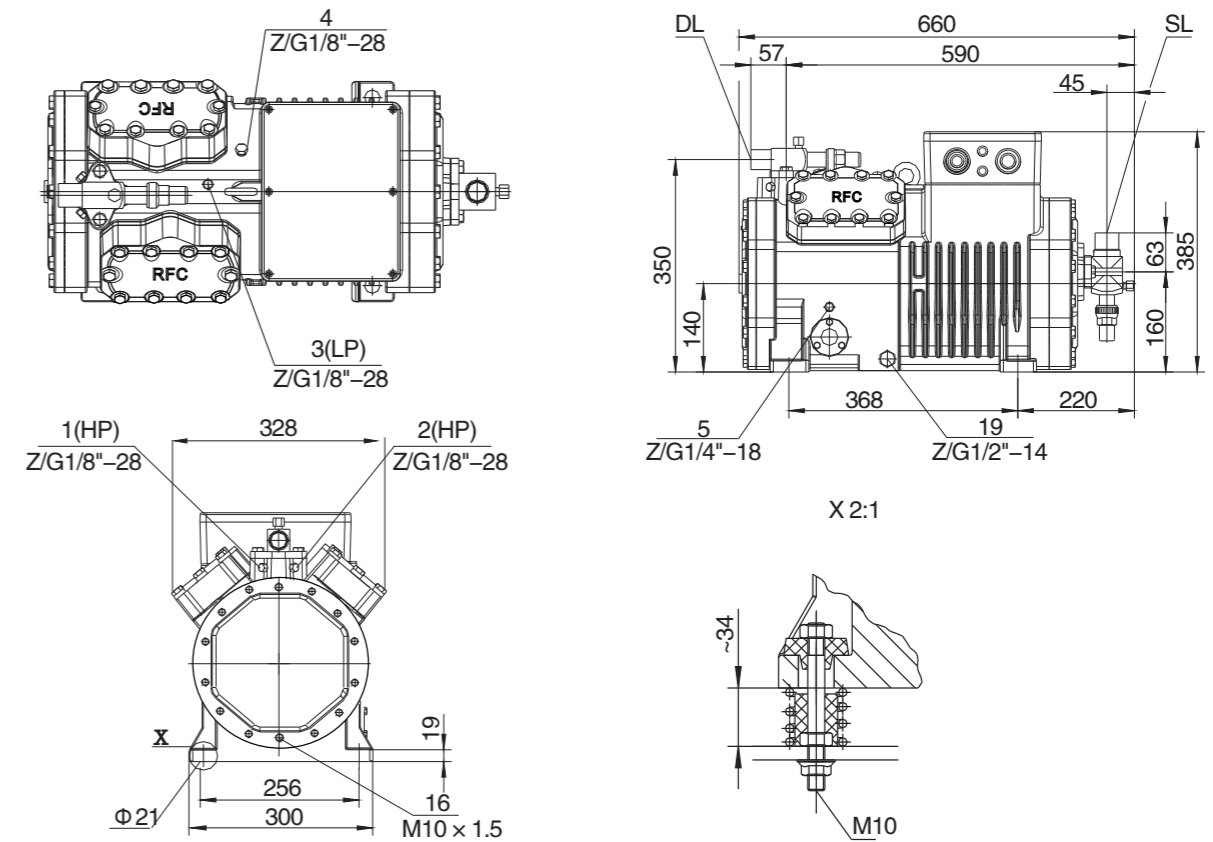
压缩机



压缩外形图



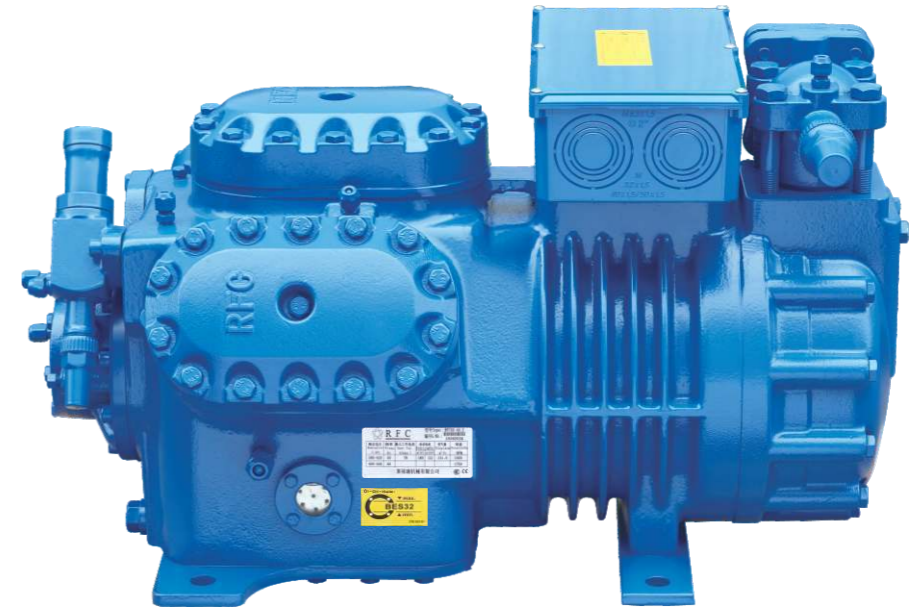
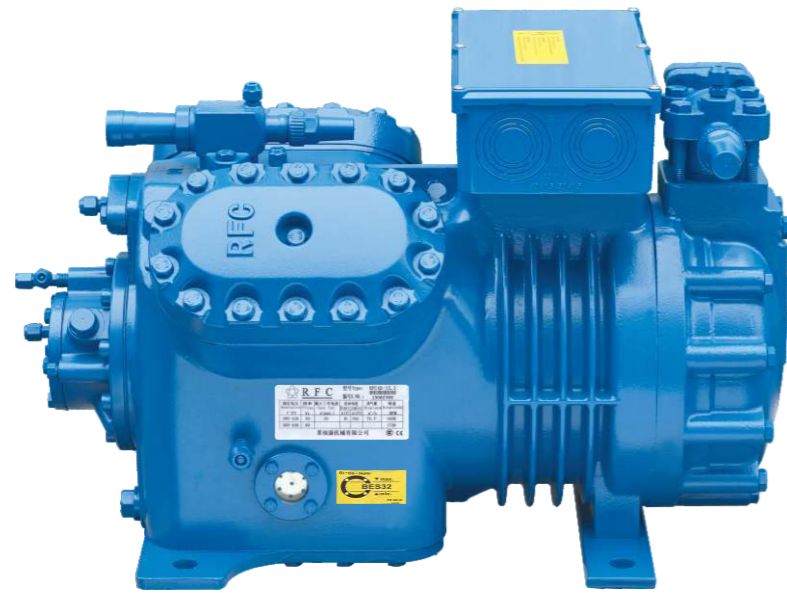
压缩外形图





压缩机

压缩机



压缩外形图

压缩外形图

